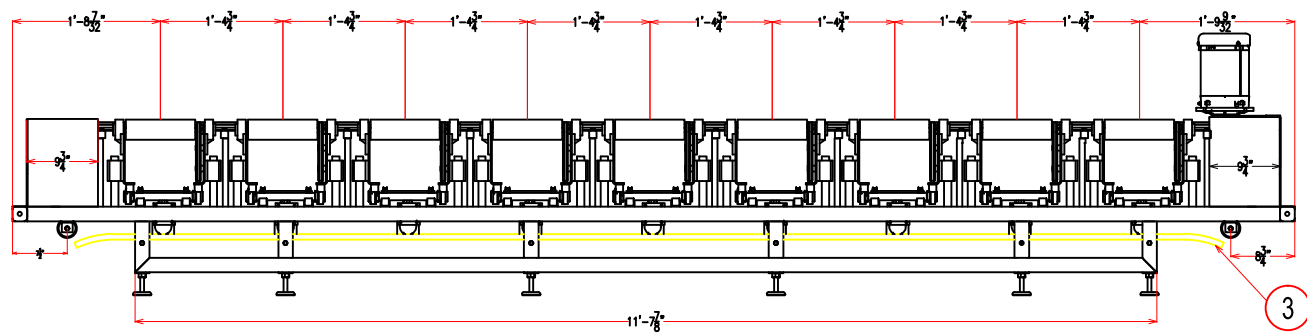
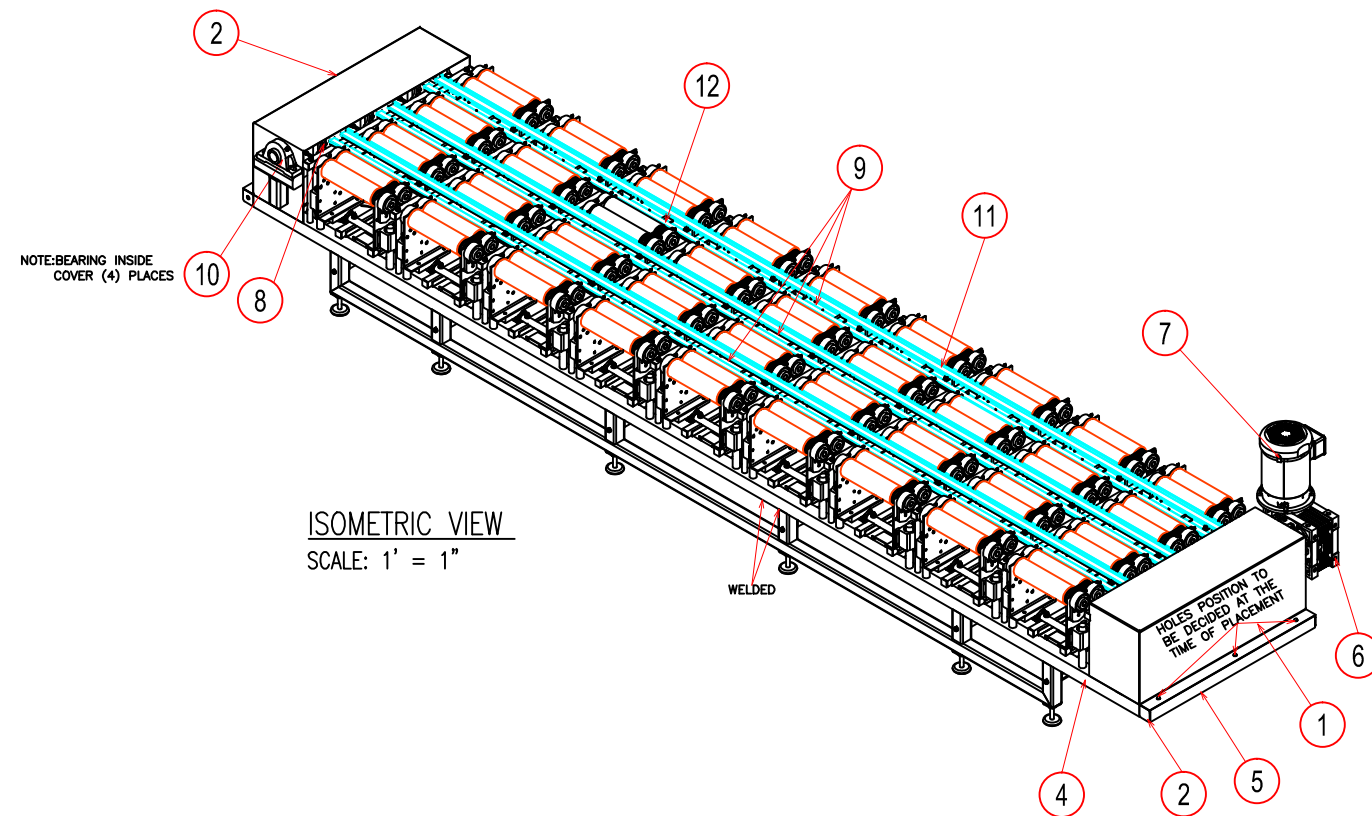


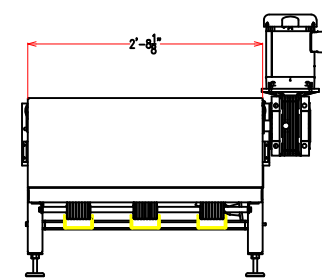
TOP VIEW  
SCALE: 1'-00" = 1"




SIDE VIEW  
SCALE: 1'-00" = 1"



ISOMETRIC VIEW  
SCALE: 1' = 1"



SECTION "A"  
SCALE: 1'-00" = 1"

 3265 W Post Rd Las Vegas, Nevada 89118 Phone #: 644-9005 Fax: 644-9006 Email: simon@ddsconveyor.com website: www.ddsconveyorinc.com	ASSEMBLY DESCRIPTION : DDS SORTING SYSTEM	
	ASSEMBLY PART # : A-DDSS062513-A001	PROJECT NUMBER :DDSS062513
	ASSEMBLY SERIAL # : DDSS062513-A001	DRAWN BY : N.G.
	ASSEMBLED BY :	SCALE : 1'-00"=1"
	TIME TO ASSEMBLE :	DWG QC APPEROVAL BY :
	DATE : 11/18/2013	