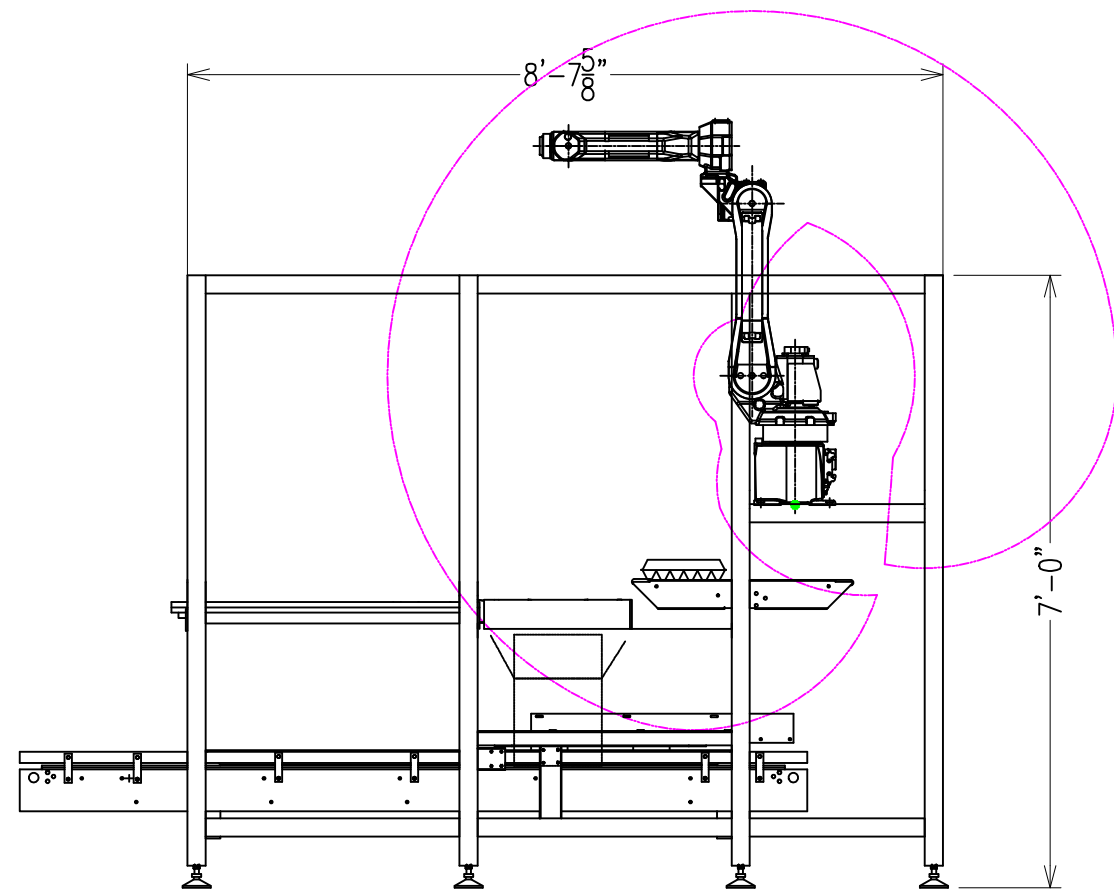
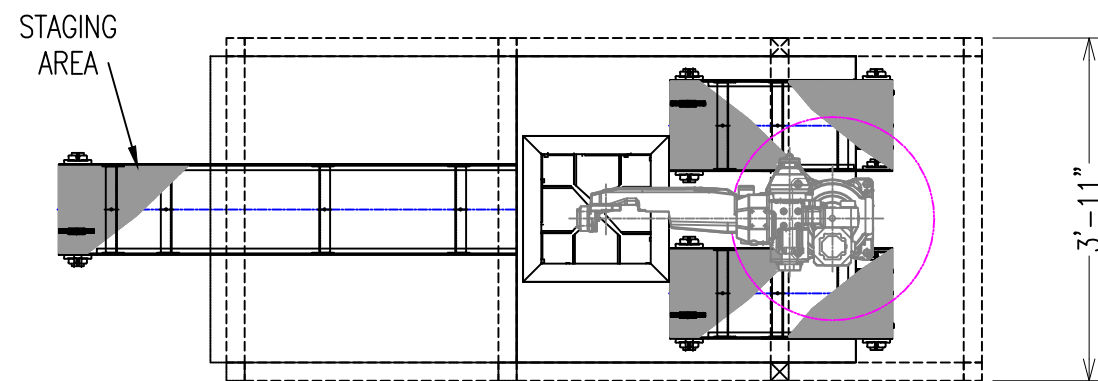


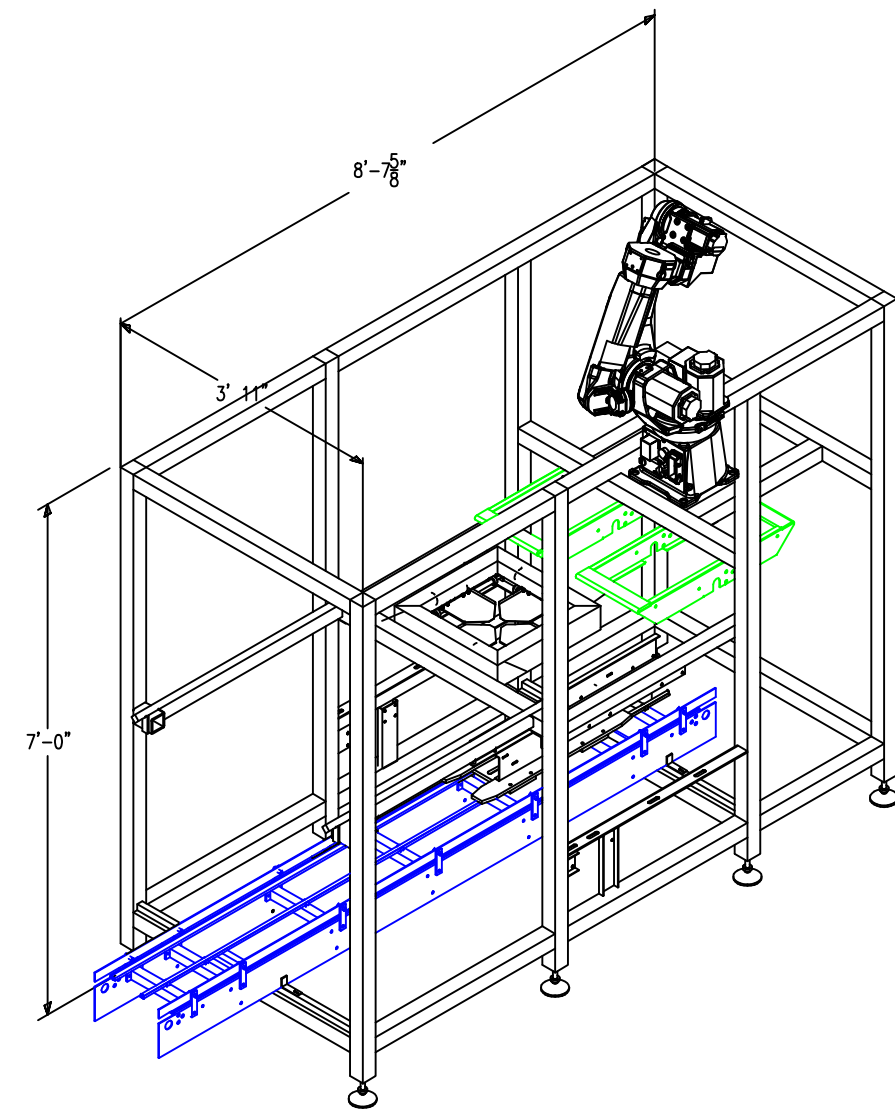
PACKER MODEL 'A'



SIDE VIEW
SCALE: 1" = 1'-0"



TOP VIEW
SCALE: 1" = 1'-0"



ISOMETRIC-CAGE
SCALE: 1" = 1'-0"

 2000 W Park Rd Lee Haven, Nevada 89119 Phone: 702-333-2222 Fax: 702-333-2222 Email: sales@ddsconveyor.com Website: www.ddsconveyor.com	ASSEMBLY DESCRIPTION : PACKER MODEL 'A'	PROJECT NUMBER :
	ASSEMBLY PART # : A-PACKER MODEL 'A'	DRAWN BY : BLM
	ASSEMBLY SERIAL # : PACKER MODEL 'A'	SCALE : 1"=1"
	ASSEMBLED BY : DDS CONVEYOR	DWG QC APPROVAL BY :
	TIME TO ASSEMBLE :	DATE :